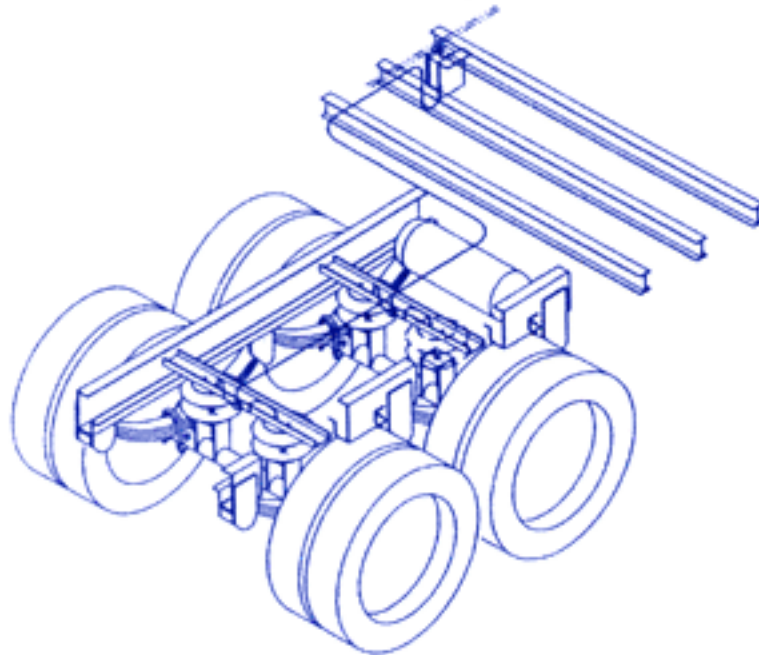


SMOOTH RIDE



Introducing **Smooth Ride**
The new add on air suspension system



Smooth Ride has developed a new add on air suspension system designed to fit almost any trailer that currently has a spring suspension. While the idea of adding air bags to a spring suspension is not new, the **Smooth Ride** System is uniquely better and less costly.

What makes the **Smooth Ride** System uniquely different is:

1. The **brackets** that support the top and bottom of the air bags are manufactured from industry approved structural steel. Engineering and manufacturing is carried out in our own facility.
2. We have designed our own system to utilize **standard air bags** thus eliminating the need for special brackets.
3. The **Manual Control** is simple and easy to operate. With the **Smooth Ride** design, the operator can easily read both incoming and regulated air pressure.

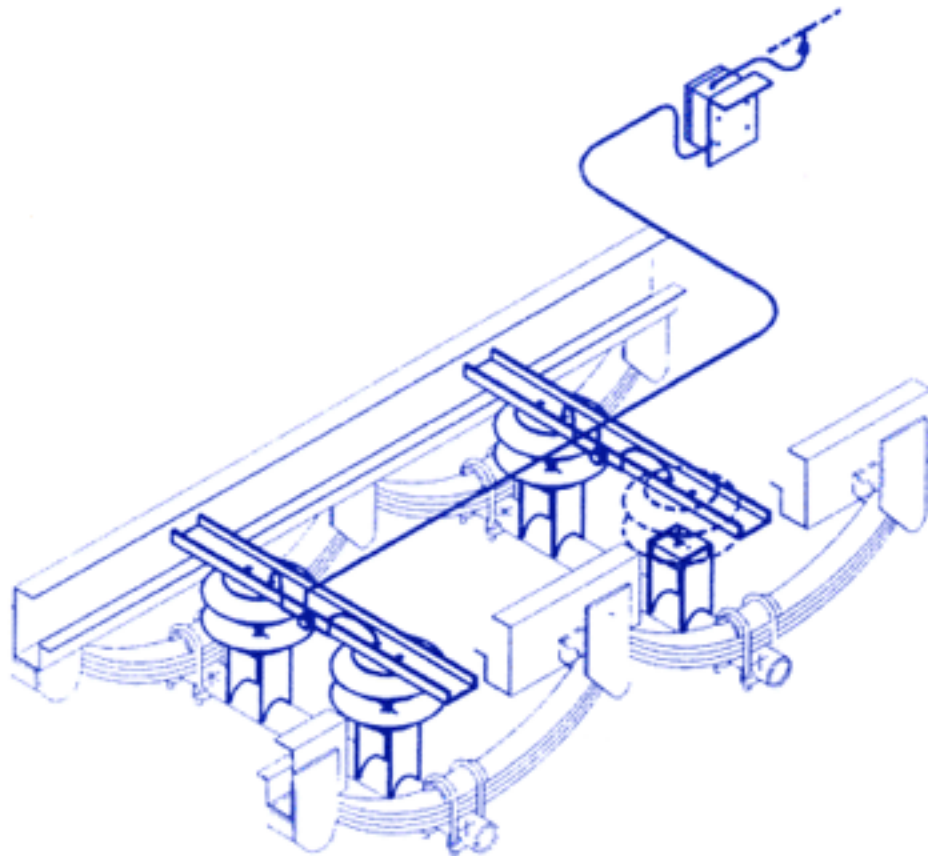
4. The **control box is custom made** to allow easy access and can also be locked.
5. We have an automatic system for the fleets where driver adjustments are not required.
6. Adds only 130 lbs. when installed. (For tandem trailer)
7. Fittings and tubing are **D.O.T. approved**.
8. Control box and valves are **pre-assembled** to help reduce installation time.

What are the benefits of Smooth Ride?

- No moving parts that need replaced or repaired requiring scheduled maintenance.
- Maintains stability in the trailer.
- Reduces axle hop and spring slapping in the hangers and equalizers, reducing or eliminating replacement cost.
- Longer tire life
- Reduces or eliminates:

Popped Rivets	Bulb Damage
Broken Hinges	Cargo Damage
Floor Damage	Driver Fatigue

Why pay more for the ride you and your trailer deserve?



Smooth Ride is an add on air suspension system designed for most 96" or 102" wide single or tandem axle dry vans, reefers, or flatbed trailer installed with a spring suspension.

The **Smooth Ride** system is easily installed by simply welding two brackets to each axle, then adding an upper member directly above each axle. Then, just simply install the air bags and air control system.

All kits come complete with installation instructions, and do not require any additional materials.

Don't You Deserve A Smooth Ride Today?

The **Smooth Ride** personnel have a total of over 30 years experience in the industry. Smooth Ride has a committed obligation to provide the most effective and economical add on air suspension system available.

Smooth Ride is fabricated and assembled in our own facility. Our personnel take pride in the product they build, and have a personal interest in not only the fabrication and assembly but also the performance of our product.

Smooth Ride wants you to know that having a smooth ride does not require you to spend thousands of dollars. It's time for you to enjoy the benefits of a full air suspension system at less than half the cost.

Reduce your cargo damage, receive that higher rate because of your new air system and forget about that high cost of trailer repairs. Purchase your **Smooth Ride** now.

For More Information:

Call: (616) 862-7397

Or

Write: **Smooth Ride**

3408 13th Street - Wayland, MI 49348